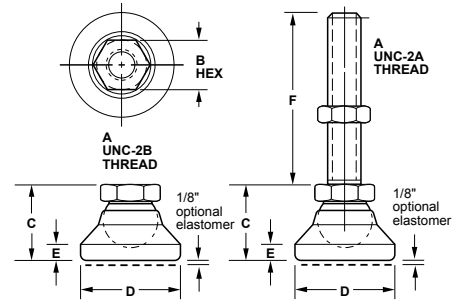


**STEEL & STAINLESS STEEL (SS)
STUD & SOCKET LEVELERS -**

Steel and Stainless Steel Stud and Socket levelers are ideal for leveling and stabilizing cabinets and equipment. The leveler base swivels 15° degrees off the centerline. Standard gold iridite zinc finish. Black oxide or clear chromate finish available on request. An optional elastomer pad provides minor isolation protection and improved footing. For elastomer, reduce the load rating by 25%. (Add "-P" to PN to order with elastomer pad.) These levelers conform to TCMAI standards.



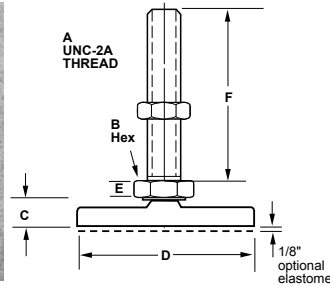
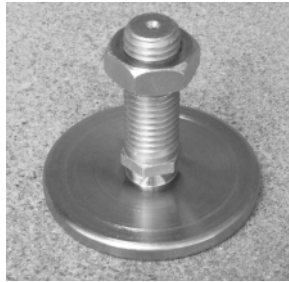
STEEL & STAINLESS STEEL LEVELING DEVICES											
SOCKET TYPE	STUD TYPE	LOAD		STEEL & STAINLESS STEEL LEVELING DEVICES							
STEEL	SS	STEEL	SS	LBS.	A	B	C	D	E	F	
IL1-4G	IL5-4	IL2-4G	IL6-4	1400	1/4-20	1/2	45/64	1	5/32	2	
IL1-6G	IL5-6	IL2-6G	IL6-6	3000	3/8-16	5/8	7/8	1-1/4	3/16	2	
IL1-7G	IL5-7	IL2-7G	IL6-7	5000	1/2-13	3/4	1-1/8	1-7/8	1/4	2	
IL1-8G	IL5-8	IL2-8G	IL6-8	6000	5/8-11	7/8	1-1/4	2-1/2	5/16	2	
IL1-9G	IL5-9	IL2-9G	IL6-9	8000	3/4-10	1-1/16	1-1/2	3	1/2	2	
IL1-10G	IL5-10	IL2-10G	IL6-10	20000	1-8	1-1/2	1-7/8	4	13/32	4-1/4	

DELTRIN BASE STUD & SOCKET LEVELERS - are ideal for protecting floor surfaces from scratches or when non-conductive materials are specified. Choose the standard white delrin base with a gold iridite zinc socket or stud. Optional black delrin base with a black oxide socket or stud. DELTRIN is a registered trademark of DuPont Corporation. These levelers conform to TCMAI standards.

DELTRIN BASE - STEEL & STAINLESS STEEL LEVELING DEVICES											
SOCKET TYPE	STUD TYPE	LOAD		DELTRIN BASE - STEEL & STAINLESS STEEL LEVELING DEVICES							
STEEL	SS	STEEL	SS	LBS.	A	B	C	D	E	F	
IL3-4W	IL3-4S	IL4-4W	IL4-4S	200	1/4-20	1/2	45/64	1	5/32	2	
IL3-6W	IL3-6S	IL4-6W	IL4-6S	300	3/8-16	5/8	7/8	1-1/4	3/16	2	
IL3-7W	IL3-7S	IL4-7W	IL4-7S	700	1/2-13	3/4	1-1/8	1-7/8	1/4	2	
IL3-8W	IL3-8S	IL4-8W	IL4-8S	1200	5/8-11	7/8	1-1/4	2-1/2	5/16	2	
IL3-9W	IL3-9S	IL4-9W	IL4-9S	1800	3/4-10	1-1/16	1-1/2	3	1/2	2	
IL3-10W	IL3-10S	IL4-10W	IL4-10S	2400	1-8	1-1/2	1-7/8	4	13/32	4-1/4	

**LOW-PROFILE STEEL AND STAINLESS
STEEL (SS) LEVELERS -**

Exclusive ball design minimizes base separation on these levelers. Base swivels 7° degrees from the centerline. Standard gold iridite zinc finish. Black oxide or clear chromate finish available on request. An optional elastomer pad provides minor isolation protection and improved footing. Reduce load rating by 25% with elastomer. To order with elastomer (add "-P" to part number.) **Non-Tilt design also available (add -NT).**



Extended stud lengths of 3", 4", and 5" available, (add "x3", "x4", or "x5" to part number).
Low-Profile Levelers are also available with two 0.59 lag holes on 2-1/2" diameter base and larger, (add "-H" to part number).
Non-Tilt design also available, (add "-NT" to part number.)

LOW-PROFILE (STEEL & SS) STUD LEVELING DEVICES										
STUD TYPE	LOAD		LOW-PROFILE (STEEL & SS) STUD LEVELING DEVICES							
STEEL	SS	LBS.	A	B	C	D	E	F		
IL62-6G	IL62-6S	3000	3/8-16	1/2	1/2	1-1/4	3/16	2		
IL62-7G	IL62-7S	5000	1/2-13	1/2	1/2	1-1/4	3/16	2		
IL62-8G	IL62-8S	6000	5/8-11	5/8	1/2	1-1/4	3/16	2		
IL62-9G	IL62-9S	8000	3/4-10	3/4	1/2	1-1/4	3/16	2		
IL64-6G	IL64-6S	3000	3/8-16	1/2	1/2	1-7/8	3/16	2		
IL64-7G	IL64-7S	5000	1/2-13	1/2	1/2	1-7/8	3/16	2		
IL64-8G	IL64-8S	6000	5/8-11	5/8	1/2	1-7/8	3/16	2		
IL64-9G	IL64-9S	8000	3/4-10	3/4	1/2	1-7/8	3/16	2		
IL66-6G	IL66-6S	3000	3/8-16	1/2	1/2	2-1/2	3/16	2		
IL66-7G	IL66-7S	5000	1/2-13	1/2	1/2	2-1/2	3/16	2		
IL66-8G	IL66-8S	6000	5/8-11	5/8	1/2	2-1/2	3/16	2		
IL66-9G	IL66-9S	8000	3/4-10	3/4	1/2	2-1/2	3/16	2		
IL68-6G	IL68-6S	3000	3/8-16	1/2	1/2	3	3/16	2		
IL68-7G	IL68-7S	5000	1/2-13	1/2	1/2	3	3/16	2		
IL68-8G	IL68-8S	6000	5/8-11	5/8	1/2	3	3/16	2		
IL68-9G	IL68-9S	8000	3/4-10	3/4	1/2	3	3/16	2		
IL70-6G	IL70-6S	3000	3/8-16	1/2	1/2	4	3/16	2		
IL70-7G	IL70-7S	5000	1/2-13	1/2	1/2	4	3/16	2		
IL70-8G	IL70-8S	6000	5/8-11	5/8	1/2	4	3/16	2		
IL70-9G	IL70-9S	8000	3/4-10	3/4	1/2	4	3/16	2		